

TECHNICAL DATA

Product : Computer Place Jakin

Design : Abad diseño



Technical data :

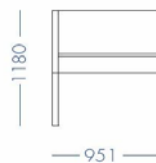
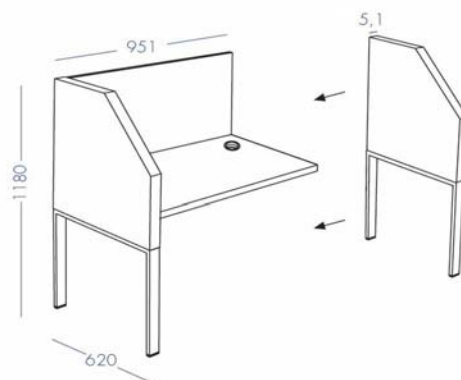
Top: chipboard veneered or lacquered 31mm thick.

Rear Panel: chipboard veneered or lacquered 20mm thick.

Uprights: chipboard veneered or lacquered 51mm thick.

Legs: steel tube epoxy painted.

Cable holder :  $\varnothing$  60 metal colour finishing.

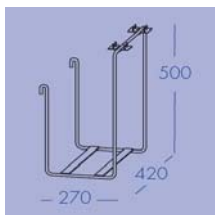


+



Computer place module  
+  
Computer place's upright

Components :



CPU Holder :

Steel rod  $\varnothing$  8 epoxy painted finishing.